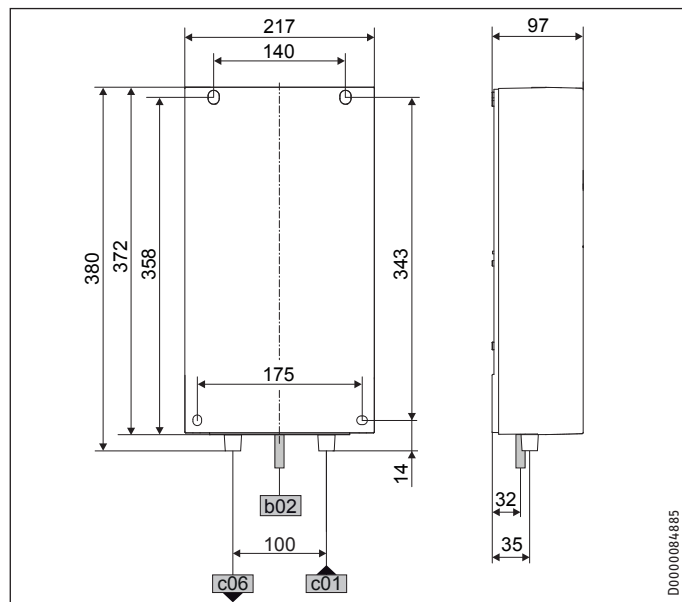


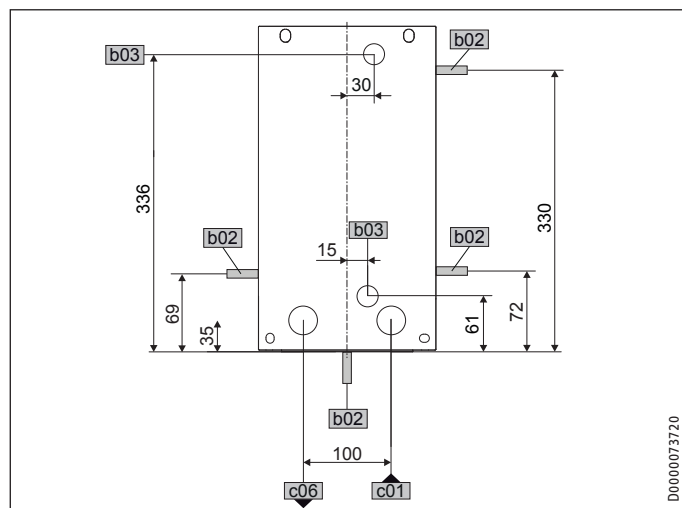
16. Specification

16.1 Dimensions and connections



		DCE-C Trend
b02	Entry for electrical cables I	Finished walls
c01	Cold water inlet	Male thread G 1/2 A
c06	DHW outlet	Male thread G 1/2 A

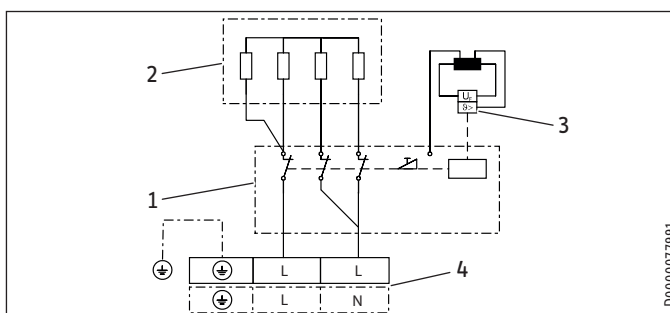
Alternative connection options



		DCE-C Trend
b02	Entry for electrical cables I	Finished walls
b03	Entry for electrical cables II	Unfinished walls
c01	Cold water inlet	Male thread G 1/2 A
c06	DHW outlet	Male thread G 1/2 A

16.2 Wiring diagram

DCE-C Trend	
Ⓛ Ⓛ Ⓛ	2/GRD ~ 220 / 230 V
Ⓛ Ⓛ N	1/N/PE ~ 220 / 230 V



- 1 Power PCB with integral safety switch
- 2 Bare wire heating system
- 3 High limit safety cut-out
- 4 Mains terminal

16.3 DHW output

The DHW output is subject to the connected power supply, the appliance's connected load and the cold water inlet temperature. The rated voltage and rated output can be found on the type plate.

Connected load in kW		38 °C DHW output in L/min.			
Rated voltage		Cold water inlet temperature			
220 V	230 V	5 °C	10 °C	15 °C	20 °C
DCE-C 6/8 Trend					
6.0		2.6	3.1	3.7	4.8
8.0		3.5	4.1	5.0	6.3
	6.6	2.9	3.4	4.1	5.2
	8.7	3.8	4.4	5.4	6.9
DCE-C 10/12 Trend					
10.0		4.3	5.1	6.2	7.9
12.0		5.2	6.1	7.5	9.5
	11.0	4.8	5.6	6.8	8.7
	13.1	5.7	6.7	8.1	10.4

Connected load in kW		50 °C DHW output in L/min.			
Rated voltage		Cold water inlet temperature			
220 V	230 V	5 °C	10 °C	15 °C	20 °C
DCE-C 6/8 Trend					
6.0		1.9	2.1	2.4	2.9
8.0		2.5	2.9	3.3	3.8
	6.6	2.1	2.4	2.7	3.1
	8.7	2.8	3.1	3.6	4.1
DCE-C 10/12 Trend					
10.0		3.2	3.6	4.1	4.8
12.0		3.8	4.3	4.9	5.7
	11.0	3.5	3.9	4.5	5.2
	13.1	4.2	4.7	5.3	6.2